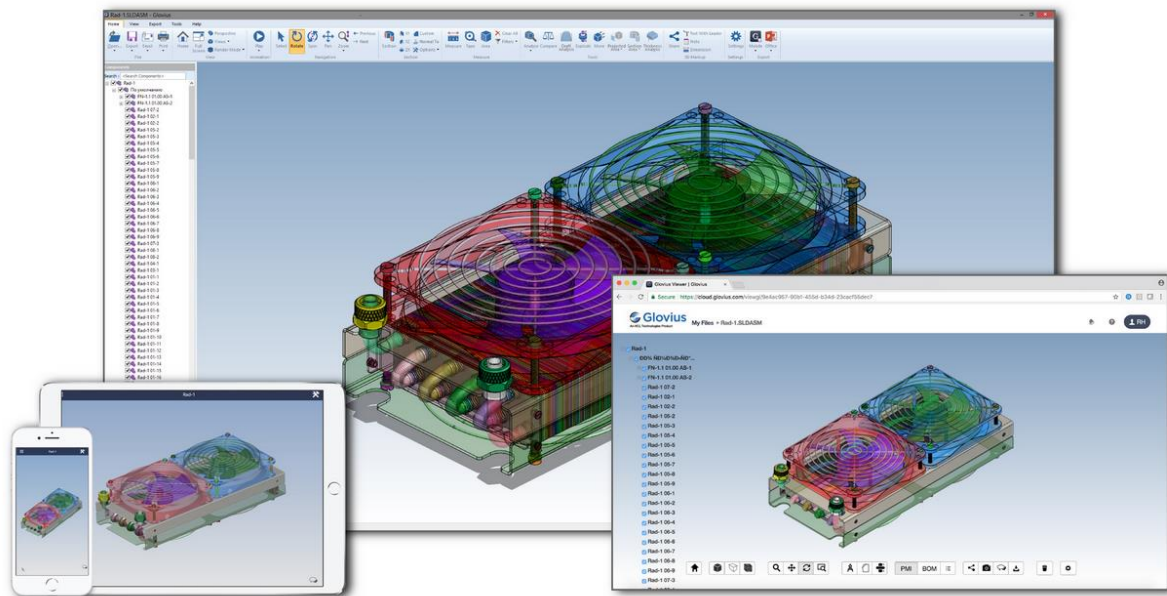


# Glovius - Modern CAD Viewer

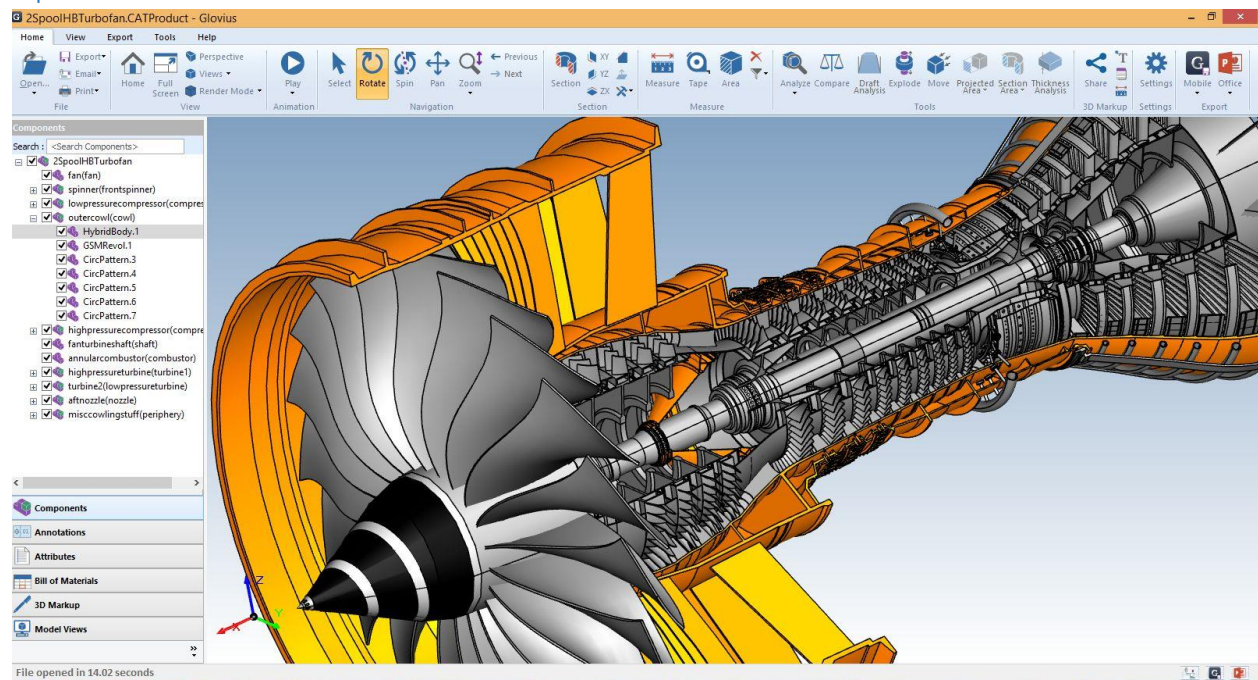
## Reseller Handbook



## About Glovius

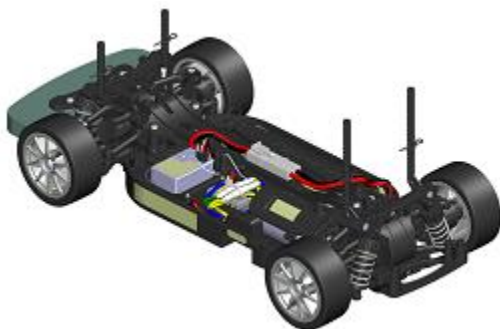
Glovius CAD viewer supports CATIA, NX, STEP, IGES, Pro/ENGINEER and Creo, SolidWorks, Inventor and Solid Edge files. Take accurate measurements, cut dynamic sections, and compare differences between models and export to 3D PDF, STL and Glovius Mobile.

## Open CAD Files without a CAD license



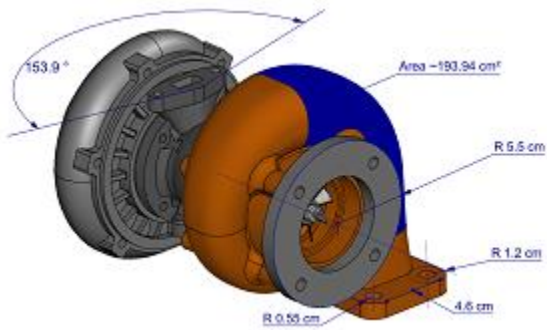
Open 3D files from CATIA, NX, STEP, IGES, Creo, Pro/ENGINEER, SolidWorks and more formats. View CATDrawings, DXF & DWG files with Glovius 2D Viewer.

## View CAD Parts, Assemblies and Drawings



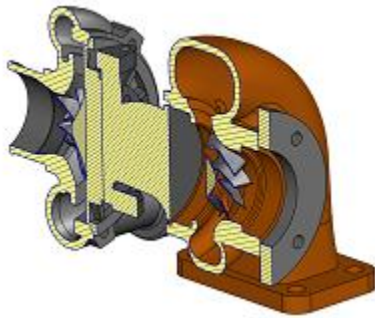
View 3D data, Product Structure, Attributes, PMI, GD&T, Annotations and Captures. Zoom, Pan, Rotate & Spin models. Previous & Next View. Standard Views. Perspective/Orthographic projection. Shaded, Wireframe and Mixed render modes. Hide/Show, Isolate, Move & Search components. Change component color and transparency.

## Take Accurate Measurements



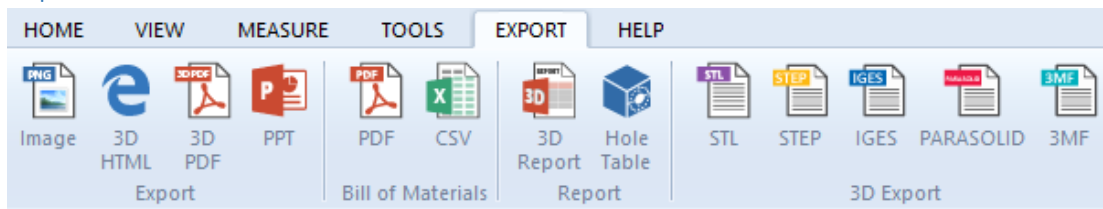
Take accurate linear, angular and radial measurements. Use Tape Measure for edges and curves. Calculate Surface area. Check ordinate dimensions and quickly measure models and features with Assistive Measurement.

## Cut Dynamic Sections



Cut dynamic sections along Standard or Custom Planes. Create multiple sections, add hatches to enhance visibility and measure section profiles.

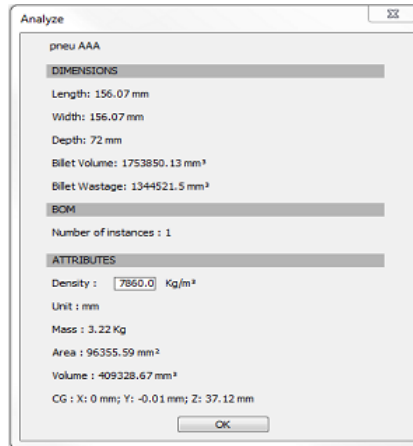
## Export to 3DPDF & More



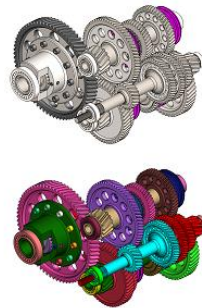
Export your CAD files to STEP, IGES, 3MF, Parasolid, 3D PDF, HTML, STL, Image & Microsoft Powerpoint formats. Generate Bill of Materials (BoM) PDF & CSV report and 3D Model report with one click.

## Assembly Analysis Tools

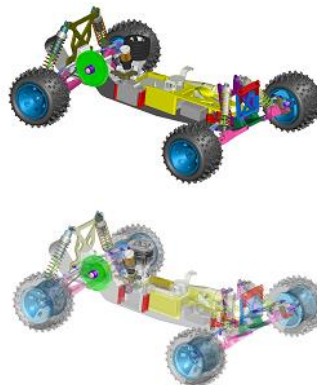
Use the **Analyze tool** to get the model snapshot and get to know the key attributes, dimension extents, Instances and Mass.



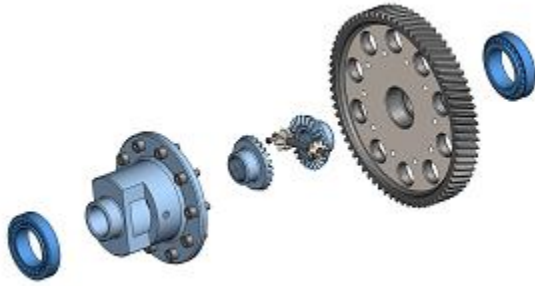
Change **component colors** to easy visual identification of product structure.



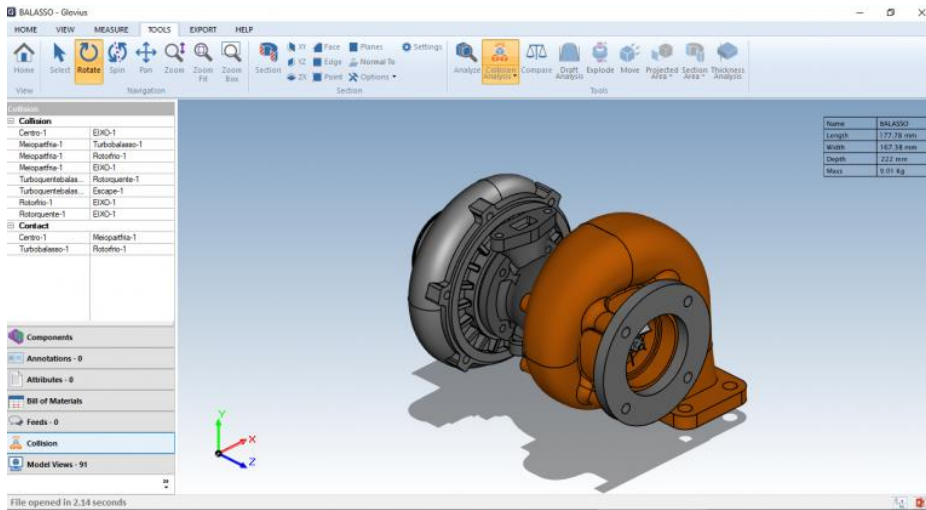
Apply **transparency** to individual components and progressive transparency for sub-assemblies.



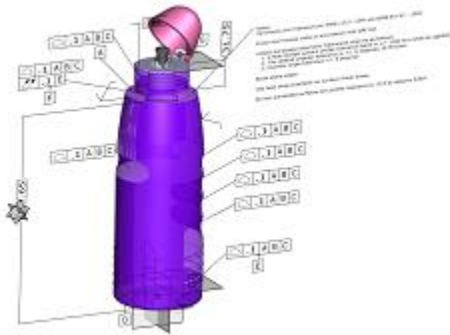
**Explode** assemblies to identify the internal components and method of construction.



Check for CAD assembly integrity using the **Collision Detection Tool**. Check if the assembled position of the component has intersections that compromise the overall integrity of the assembly.

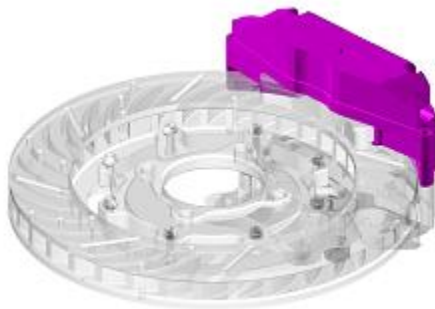


## Collaborate with your team



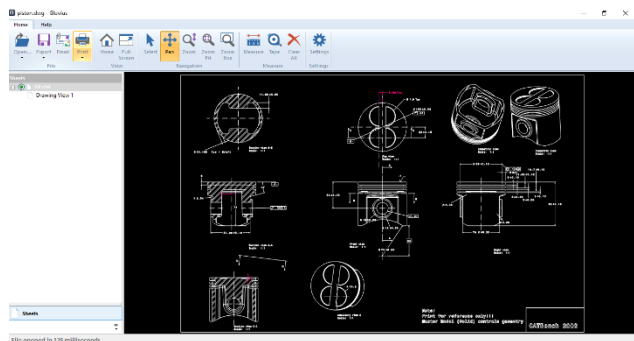
Add comments in your model and Collaborate with your team. Maintain context of your comments using the 3D Markup tools.

## Compare Models in 3D



Compare various versions of design to inspect changes. Visually identify the added, removed and modified features of parts and assemblies.

## Free 2D Viewer



Open CATIA CATDrawings, DWG and DXF files with Glovius 2D Viewer. Take measurements and export to PDF.

## Free iPhone, iPad & Android Apps



Export to Glovius Mobile. Transfer using Email, Dropbox or File transfer. View with free Glovius iOS & Android apps. View 3D, PMI, Product Structure and Attributes. Cut dynamic sections and take basic measurements.

Glovius is available in English, Deutsche, Français, 日本語, Español, Português, 中文 and 한국어 languages.

## Select Customers



## Marketing

### Website and Email

As a country partner for Glovius, we will list your information on Glovius website. We may mention your information in emails to prospects. For this purpose, please share a contact person's Name, Email, Full Address and Telephone information with us.

### Inside Sales

From time to time, we may share information about users who have registered for Glovius from your region. Please utilize this information for Inside Sales purposes, and share status and feedback from these users.

### Marketing Material

We will provide you with marketing material for promoting Glovius in your region, such as product brochure, product presentation, promotional videos, demonstration videos etc.

For textual material, please translate the material in your local language. As a specialist in the region, we may also ask for your help in validating strings and texts used in the product in your language.

## Sales

Glovius sales support is available over email at [sales@glovius.com](mailto:sales@glovius.com). This includes Request for Quotations, License Fulfillment, Invoices, etc.

We usually respond within 24 hours to all sales requests. The sales support is offered from USA and India.

### Order Fulfillment

For registering an order, please email customer information (Name, Address, Email, Telephone) and PO information to [sales@glovius.com](mailto:sales@glovius.com). The PO amount should be the product price, less your margin. You are expected to invoice the full product price to the customer.

All orders are processed with 2 business days. We require HOSTID information to book the order and fulfill the licenses. Please provide this information in your order email.

## Support

Glovius customer support is available over email at [support@glovius.com](mailto:support@glovius.com). We also provide telephonic and web meeting support for helping customers. Product demonstrations are provided on request.

We usually respond within 24 hours to all customer emails. The customer support is offered from India.

## Important Links

Home Page – <https://www.glovius.com/>

Product Documentation - <https://www.glovius.com/support/kb/>



Release Notes - <https://www.glovius.com/release-notes/>

Downloads Page – <https://www.glovius.com/downloads/>

Support Page - <https://www.glovius.com/support/>

Store Page - <https://www.glovius.com/store/>