



# Glovis Enterprise Solutions

Case Studies



# Case Study – Mobile and Web-based CAD Data Visualization

## Automobiles and Motorcycles OEM

Digitize technicians workflow on the shopfloor by enabling 3D design access on multiple platforms



### Challenges

- Use of paper drawings for technical references
- Lack of traceability and inability to capture work data seamlessly for process improvements
- Integration with multiple backend systems



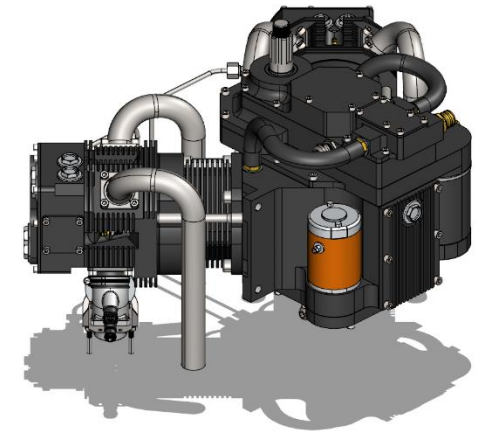
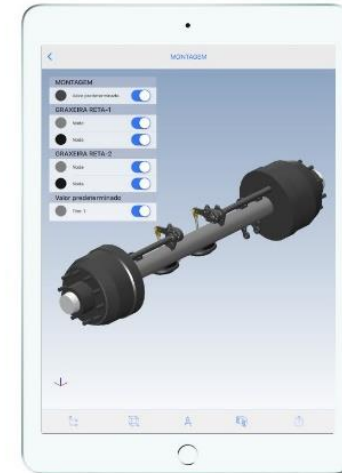
### Solutions

- Glovius deployed on multiple platforms viz iOS, WebGL, ActiveX and Windows app
- Glovius APIs used for integration with existing infrastructure to present a unified User Experience for the technician



### Benefits

- Improved Productivity & reduction in access time with on demand 3D access
- Multi-platform solution that repurposes existing assets for new use cases
- Reduced operational cost



Digitize the workflow for technicians enable real-time feedback loops

### Value delivered



Multi platform strategy re-uses the solution for multiple use cases

# Case Study – Automatic 3D Comparison

## Automotive Component Supplier

Identify variations in 3D Geometry during transition from one CAD system to Other



### Challenges

- No checks in place for ensuring accuracy of translated 3D and Attribute data
- No automatic flagging mechanism
- Lack of a centralized dashboard



### Solutions

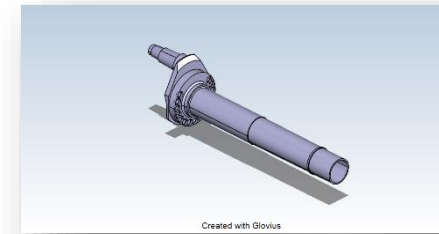
- Glovius 3D Compare solution to compare both 3D Geometry and Attributes data
- Automated solution and access to a Dashboard enables Engineers and Project Managers to track and rectify errors in the translation of the data sets



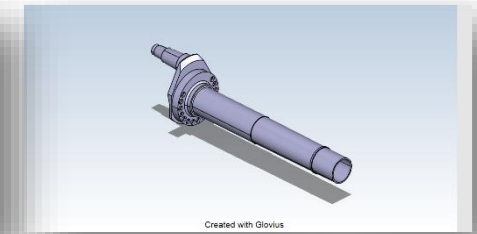
### Benefits

- Automated solution on a server frees up system resources of Engineers and Managers
- Prioritized & Quantified Dashboard ensure quick and fast Visual analysis of problem areas
- No additional software needed for users

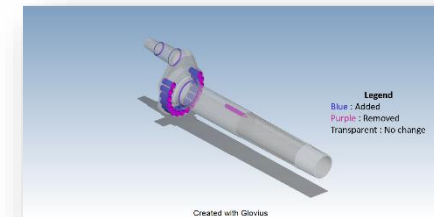
CAD A



CAD B



Glovius 3D Compare Result



Quick Automated solution reduces dependency and maintaining multiple data sets

## Value delivered



Web Dashboard and HTML apps ensures fast error analysis with no additional software



## Case Studies – Glovius Enterprise Solutions

support@glovius.com

# **HCL**

*Relationship*<sup>TM</sup>  
BEYOND THE CONTRACT

\$7 BILLION ENTERPRISE | 115,000 IDEAPRENEURS | 32 COUNTRIES

 WATCH THE FILM